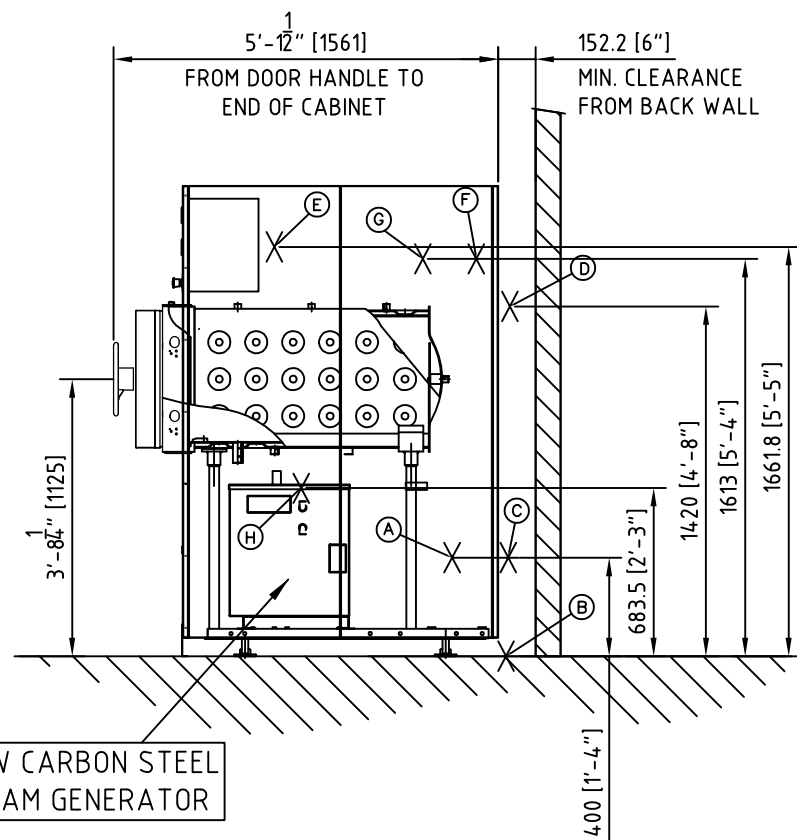
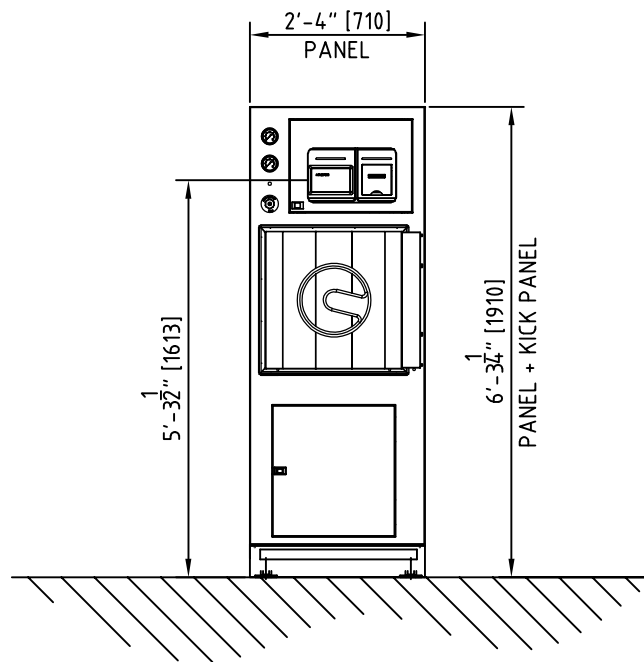


CABINET ENCLOSED- SIDE VIEW

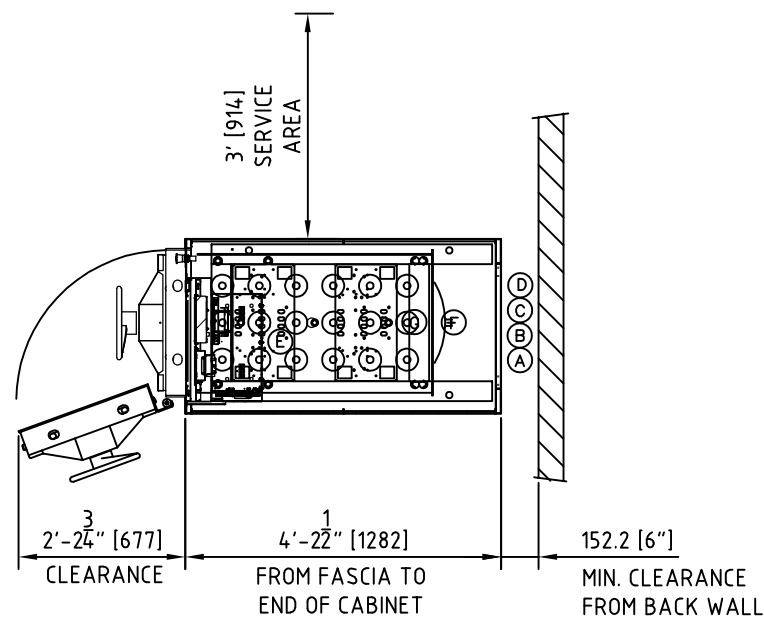


30KW CARBON STEEL STEAM GENERATOR

FRONT VIEW



CABINET ENCLOSED - TOP VIEW



PLEASE NOTE:

×Minimum 36" wide doorways required for autoclave transport.

×Autoclave can be manufactured with left or right side hinge and piping / service access. Right side hinge and left side piping / service access currently shown.

REVISIONS

REV.	DESCRIPTION	ECO	DATE	APPROVED

MODEL: 5596-ECP

INTERIOR CHAMBER DIMENSION: 20x20x38

UTILITIES REQUIREMENTS

A - Water Supply for Carbon Steel Electric Steam Generator - 1/2", <140 Degrees F, 1 GPM Peak, 5 Gallons Per Cycle Average (See GENERAL NOTES TO ARCHITECTS AND CONTRACTORS for Recommended Water Quality)

B - System Drain - (Outlet 1" NPT) - 2" O.D.T. Located by others. Floor Sink Recommended.

C - Cold Water Supply - 3/4", <70 Degrees F, 45 PSI Dynamic Minimum, 8 GPM Peak

D - Compressed Air - AIR COMPRESSOR SUPPLIED BY TUTTNAUER

E - Electric power supply FOR BACSOFT CONTROL - 120V, 1 phase, 20 AMP. (Dedicated Line)

AIR COMPRESSOR - 120V, 1-Phase, 6 AMP (Draw)

Choice Of- CARBON STEEL ELECTRIC STEAM GENERATOR - 30 KW, 208V, 3 phase, 84 AMP. (Draw)  
Or- CARBON STEEL ELECTRIC STEAM GENERATOR - 30 KW, 480V, 3 phase, 37 AMP. (Draw)

F - Chamber Relief Valve - 3/4"

G - Jacket Relief Valve - 3/4"

H - Carbon Steel Steam Generator Relief Valve - 1"

HEAT LOSS

x - With door open - 6070 Btu / hr at 68°F

WEIGHT

x - Autoclave - 1500 lb (681 Kg) Operating - 2049 lb (930 Kg)

GENERAL NOTES

- Utilities shown are required at sterilizer within 36" terminating with a shutoff valve.
- The sterilizer is not supplied with a back flow preventer and, when required by local codes, to be provided and installed by others.
- Floor Sink Recommended at the side of sterilizer.
- Safety Relief valves will be piped to floor by installer.
- If local code requires that relief valves be piped with an alternate method, to be responsibility of others.
- All wiring up to the sterilizer disconnects to be installed by others.
- All disconnect switches to be installed by others.
- Pipe sizes shown indicate terminal outlets only, service lines must supply the specified pressure and flow rates.
- Clearances shown are minimal for installing and servicing the equipment.
- All locations of utilities and clearances will be shown on architectural drawings.
- Drain location can be placed to the side if no space is available behind sterilizer.
- Softened water systems may be used only when properly maintained. Please note that malfunctioning water softeners can cause damage to the generator and will void the warranty.
- Some states require that an emergency stop be provided external to the sterilizer. If an external emergency stop is required by local codes, to be provided and installed by others.
- See GENERAL NOTES TO ARCHITECTS AND CONTRACTORS

Tolerance: .N.A

	Description: 5596-ECP		Job No.:	Scale:	Drawing No.:
	5596-ECP, 20"x20"x38"				
	Material:	Design:	Drawing: Santino F.	Quant./Unit: 1	Quant./Job:
	Rev.No: 00	Preparation By: Santino F. 6-10-2020	Approved By:	Approved By:	

ISO A2